

enduring design
timeless enjoyment



issey laguna

Retractable Folding Arm Awning

Decks and patios are perfect areas for relaxation and entertainment. But without effective shade, the sun radiates uncomfortable heat, glare and harmful UV rays, making your outdoor areas unusable and your experience unpleasant.

The Laguna brings you the ultimate in effective sun control and the ability to style the system to your own unique tastes.

By extending interior comfort to your exterior living space, it opens a new world of outdoor entertainment and relaxation while blending seamlessly with any elegant setting. The Laguna is free of unsightly poles and stylishly protects your home while unobtrusively retracting into its slimline headbox.



issey
sun shade systems

issey laguna

This elegant system can be used for overhead protection for open areas such as decks, terraces or outdoor dining. Covering up to 64 square meters, the arm systems can be pitched between 0 to 45 degrees to obtain maximum sun protection. Applications include:

- Patios
- Decks
- Courtyards
- Terraces
- Balconies



Fabric

- A wide choice of fabric colours is available to suit your unique situation.
- Acrylic 99.5% - High-quality, easy-to-maintain, mould-resistant acrylic fabric giving up to 99.5% UV blockout.
- Slope - A slope of 20 degrees or more is required for optimum rain protection.

Folding Arms

- Robust Powdercoated Folding Arms - The Laguna folding arms have triple stainless steel tension cables protected by a plastic sleeve for superior anti-corrosion, smooth operation and durability. The quality of the arm is shown in the lasting tautness of the fabric.

Operation Selection

The ability to retract the awning gives you the power to control when and how much shade is required:

- Manual Crank - Available up to 5980mm wide by 3000mm extension. Removable external crank with handle attached to eye outlet
- Motorised - Somfy tubular motors that can be hardwired to a switch or operated via remote control
- Automatic Sensors - For enhancement of lifestyle, choose an automatic sun & wind sensor that automatically extends or retracts the systems according to the day's conditions
- BMS - Easily integrates with Building Management Systems for convenient and versatile control
- Manual Override Motors - For areas with inconsistent power supply

Framework

Aluminium frames
Galvanised fabric tube

Fasteners

Stainless steel Bolts, Nuts and Screws

Frame Finish

Powdercoating (All Standard Dulux and Interpon colours)
Anodising (All Standard Colours) Extrusions only

Installation Methods

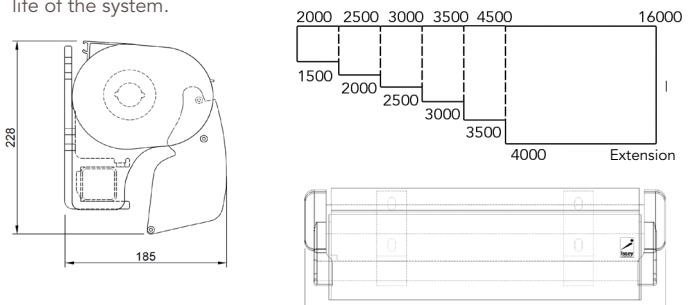
Each situation is unique and requires different methods of installation. Issey's own installers will create the most suitable method for your application.

- Recess Fit
- Face Fit
- Ceiling Fit
- Rafter Fit to eaves
- Spacer Fit to avoid down pipes
- Gutter Fit

Headbox Sizes & Size Limits

Pitch of sun shade is adjustable between 1 and 45 degrees. A slope of 20 degrees or more is required for optimum rain shower protection.

Slimline, powdercoated headbox unobtrusively protects and prolongs the life of the system.



Please contact issey to discuss your needs further or to arrange a measure and quote.

Freecall 1800 070 000 • www.issey.com.au • sales@issey.com.au

sydney • melbourne • brisbane • adelaide • perth

WARRANTY Issey confidently give a 5 year warranty on all of its products. Issey produces Australian designed and manufactured products that are reliable, contemporary and lifestyle enhancing. Our valuable advice is a result of numerous years of experience dealing with a multitude of Australian sun problems. Issey services begin from the design of the product and continue through to the maintenance of each sun shading system, providing professional and accountable service to every customer.

Details subject to improvement at any time without notice ©

