

.....
 enduring design
 timeless enjoyment

issey issiroll

External & Retractable Vertical Window Blind

Beautiful sunny days can wreak havoc through glass facades. They bring with them penetrating heat, glare and damaging UV rays, making your interiors uncomfortable and unusable. Closing the curtains is not the ideal solution. Small in size but big on sun protection, the Issey Issiroll provides the ultimate in window shading and easily manages any building's glass facade.

.....

The Issiroll dramatically decreases heat, glare and UV rays entering the rooms while ensuring that the view and natural light is maintained. The Issiroll makes interiors more comfortable, protects valuable furniture and flooring, and significantly cuts heating and cooling costs. It is also inconspicuously designed to harmonise with the look and mood of any attractive setting. Issey's strength lies in our creative design skills to adapt the Issiroll to supplement today's design movement of large glass dimensions, resulting in solutions with various flexible headboxes and track options to cope with sizable spans.

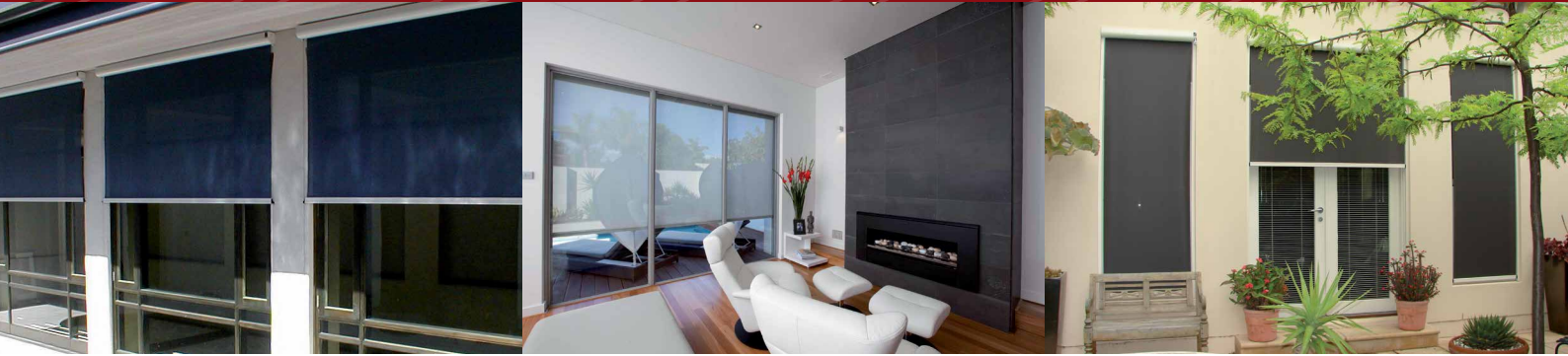



 issey
 sun shade systems

issey issiroll

Our contemporary range of vertical screens is designed to give maximum protection of windows or glass facades. The range in headbox sizes and the choice of guide systems allows versatile applications. Ideal locations and uses include:

- Windows & Doors
- Panorama Windows
- Low-Rise, Glass-Fronted Buildings
- Hospitals & Nursing Homes
- Commercial & Residential Buildings



Fabric

A wide choice of fabric is available to suit your unique situation.

- Screen 86% / 88% / 92% / 96% - When you have a beautiful view, selecting the screen fabric will ensure the majority of heat, glare & UV are prevented while the view is maintained.

Guide Options

Choices to suit your preference and window type:

- Extruded Aluminum Tracks with optional Windloc device to stop fabric from flapping
- Standard Track 30 (w) x 28 (d)
- Lip Track 50 (w) x 28 (d)
- Marine Grade Stainless Steel Wires

Bottom Bar

Weighted Aluminium Slat 40 (h) x 20 (d)

Operation

The ability to retract the blinds gives you the power to control when and how much shade is required:

- **Motorised** – Somfy tubular motors that can be hardwired to a switch or operated via remote control
- **Manual Crank** – Available up to 3600mm wide. Removable external crank with handle attached to eye outlet
- **Automatic Sensors** – For enhancement of lifestyle, choose an automatic sun & wind sensor that automatically extends or retracts the systems according to the day's conditions
- **BMS** – Easily integrates with Building Management Systems for convenient and versatile control

Framework

Aluminium frames
Galvanised fabric tube

Fasteners

Stainless steel Bolts, Nuts and Screws

Frame Finish

Powdercoating (All Standard Dulux and Interpon colours)
Anodising (All Standard Colours) Extrusions only

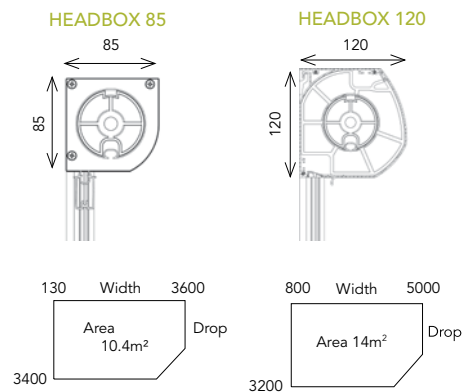
Installation Methods

Each situation is unique and requires different methods of installation. Issey's own installers will create the most suitable method for your application.

- Recess Fit / Face Fit / Ceiling Fit - The Issiroll can be recess fitted within a window opening or face fitted to give maximum protection

Headbox Sizes & Size Limits

Slimline, powdercoated headbox unobtrusively protects and prolongs the life of the system.



Issiroll Windloc & Variations

The Windloc is an Issiroll evolution, extending its application to areas with higher wind conditions. The fabric is kept taut and in constant tension bringing reduced friction noise (available in widths up to 3000mm). The Issiroll B2 can have multiple systems driven by a single motor in one continuous headbox (available in widths up to 7500mm).

Please contact issey to discuss your needs further or to arrange a measure and quote.

Freecall 1800 070 000 • www.issey.com.au • sales@issey.com.au

sydney • melbourne • brisbane • adelaide • perth

WARRANTY Issey confidently gives a 5-year warranty on all of its products. Issey produces Australian designed and manufactured products that are reliable, contemporary and lifestyle enhancing. Our valuable advice is a result of numerous years of experience dealing with a multitude of Australian sun problems. Issey services begin from the design of the product and continue through to the maintenance of each sun shading system, providing professional and accountable service to every customer.

Details subject to improvement at any time without notice ©

issey
sun shade systems