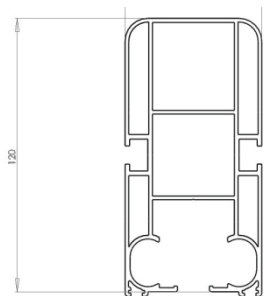
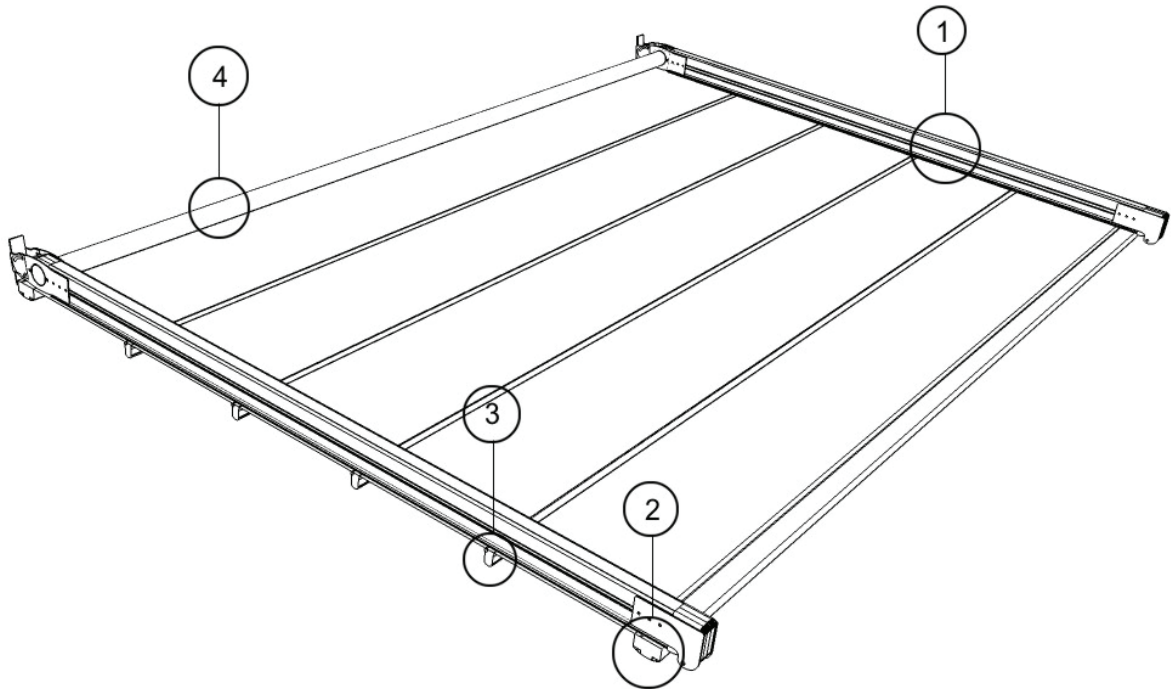




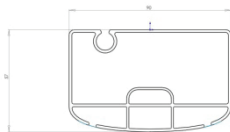
# Issey Star Retractable Roof Systems & Pergolas



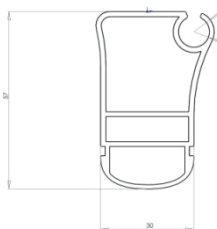
# Specifications of Parts



**1. Rafter 120mm x 60mm**



**2. Wide support beam 90mm x 60mm**

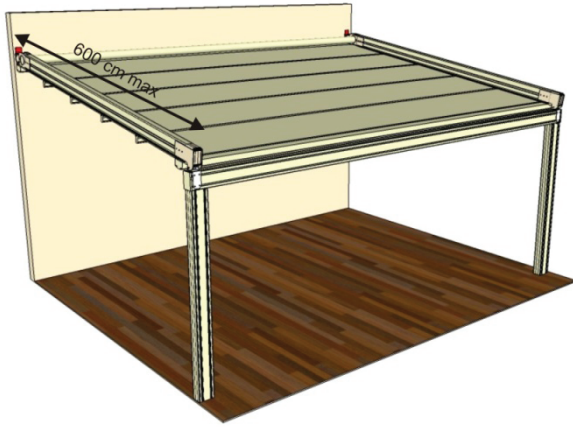


**3. Narrow support beam 30mm x 60mm**

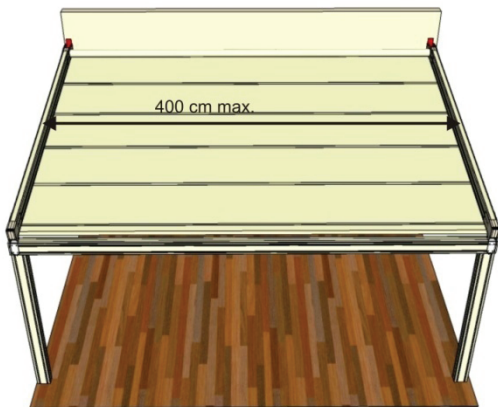


**4. Drive Tube: Radius 37.50mm**

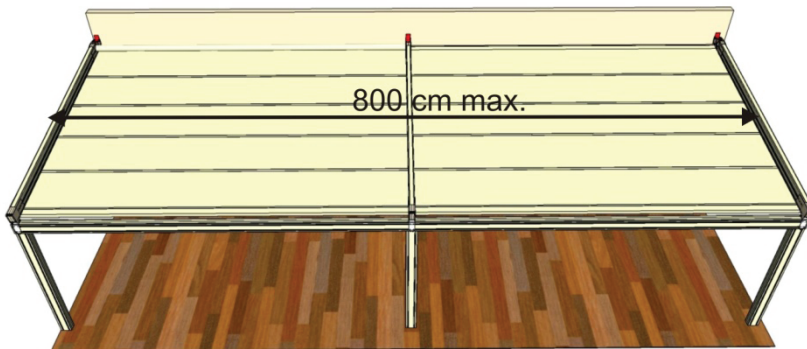
# Maximum Projections & Widths



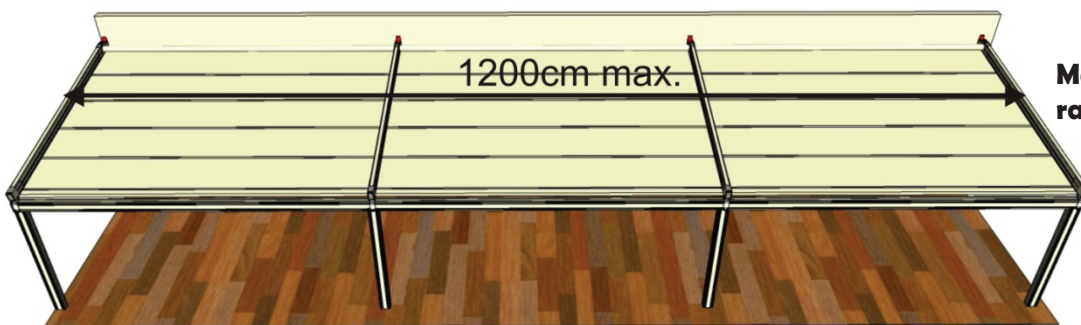
**Maximum projection with one (1) supporting frame/parapet is 6000mm (600cm)**



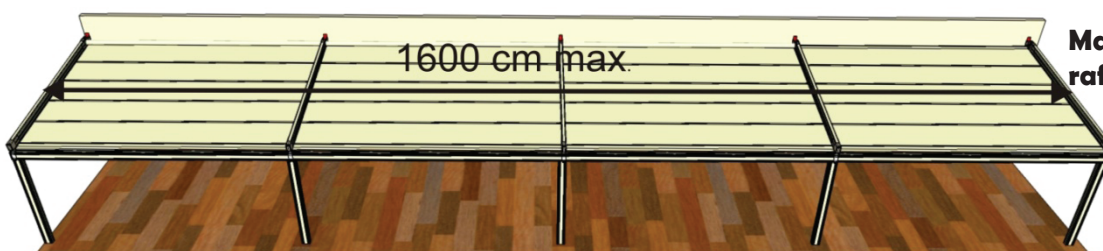
**Maximum distance between rafters is 4000mm (400cm)**



**Maximum Width with three (3) rafters is 8000mm (800cm)**

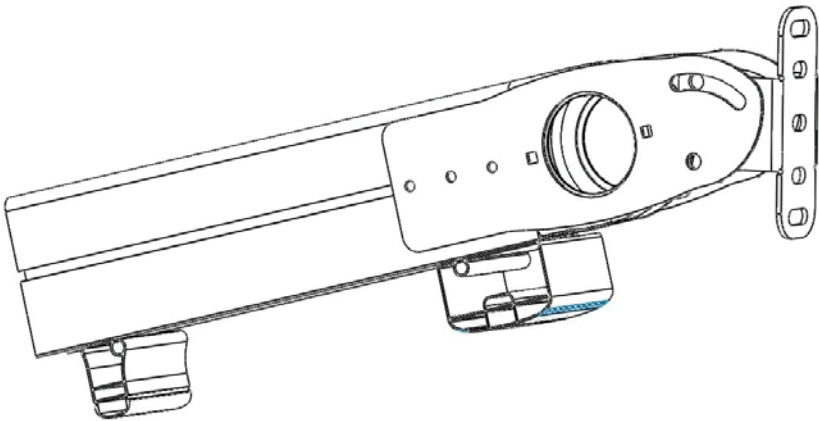
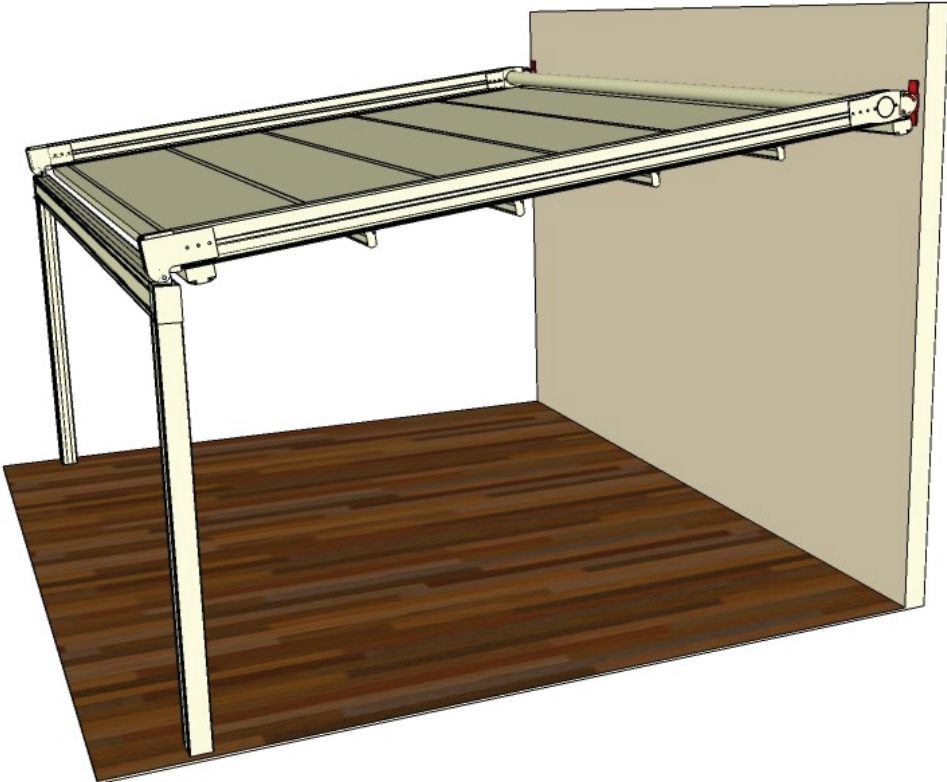


**Maximum Width with four (4) rafters is 12000mm (1200cm)**

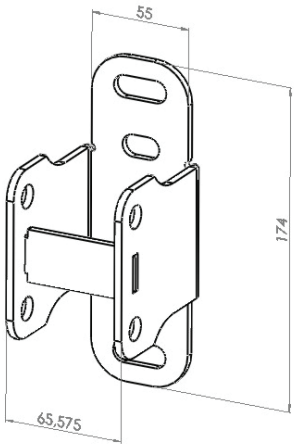


**Maximum Width with five (5) rafters is 16000mm (1600cm)**

# Wall Mount Brackets



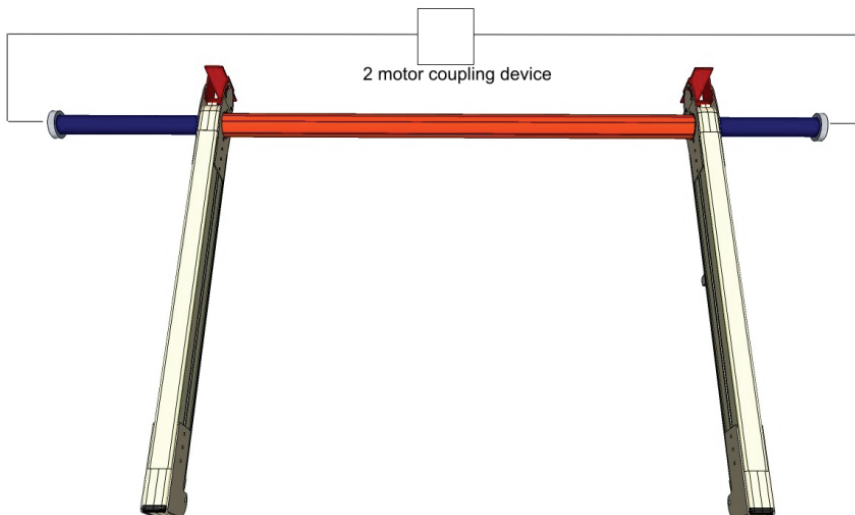
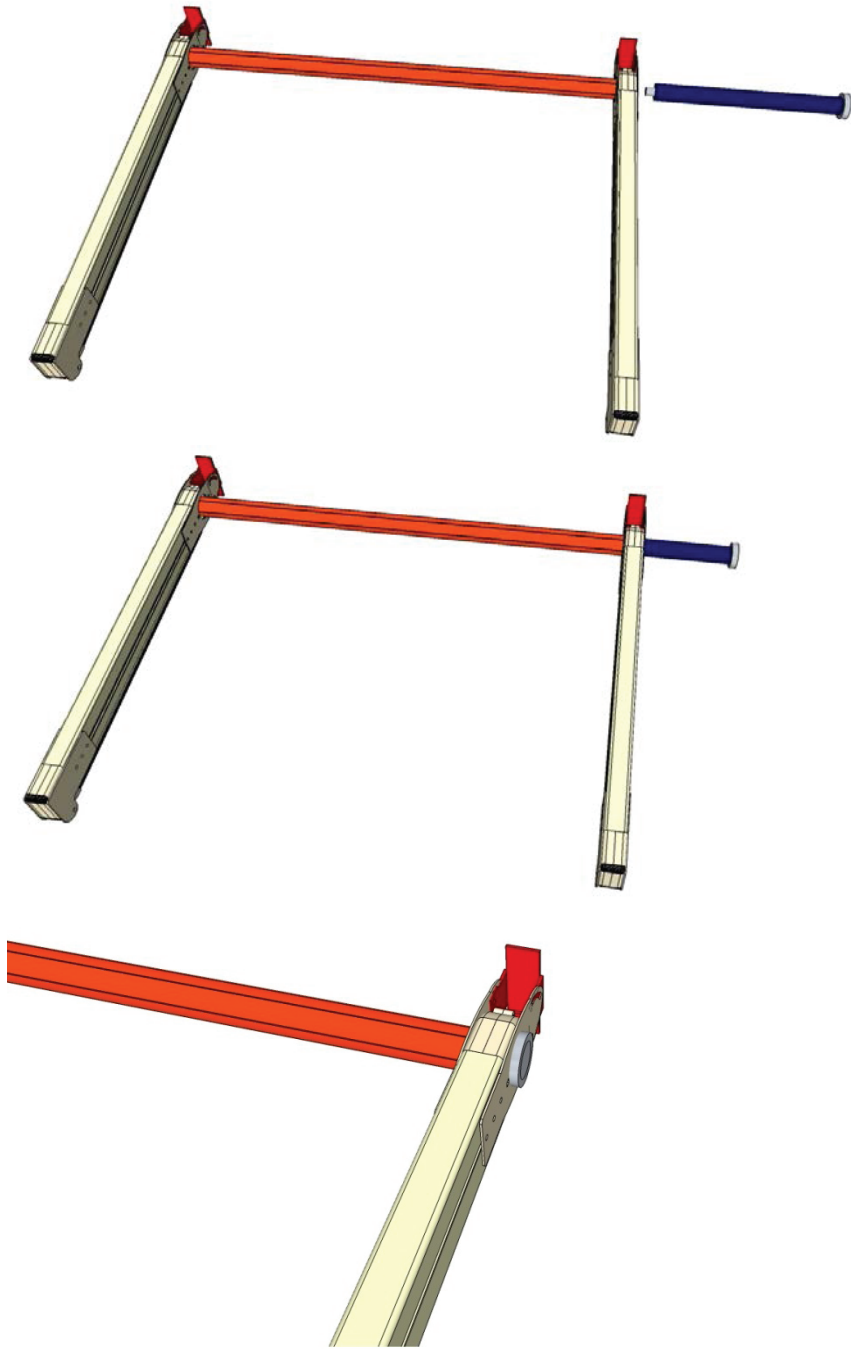
**Rafter Wall Mount  
Brackets (can also be used  
as Up fix mount bracket)**



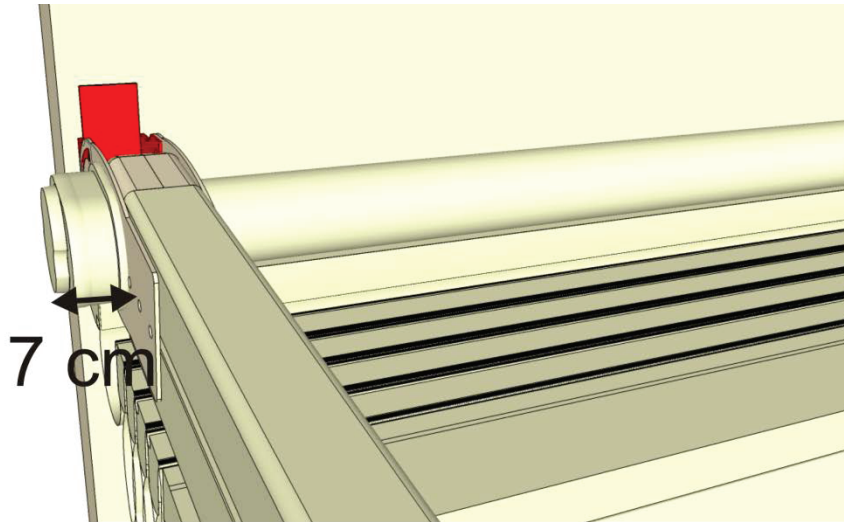
**Rafter Wall Mount  
Bracket:  
h:174mm x w:55mm**

# Motor Location and Placement

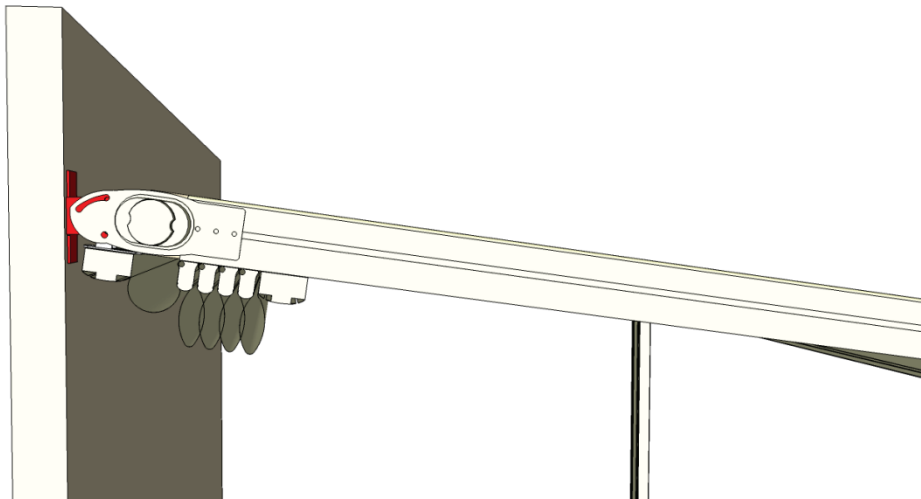
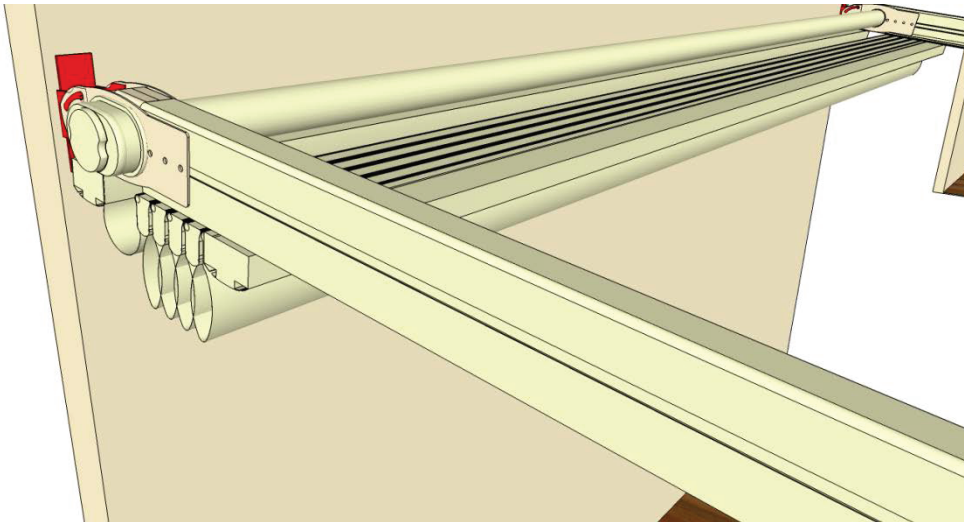
**Motor Placement:** Motor can be placed on either side of the retractable roof system or pergola to suite application.



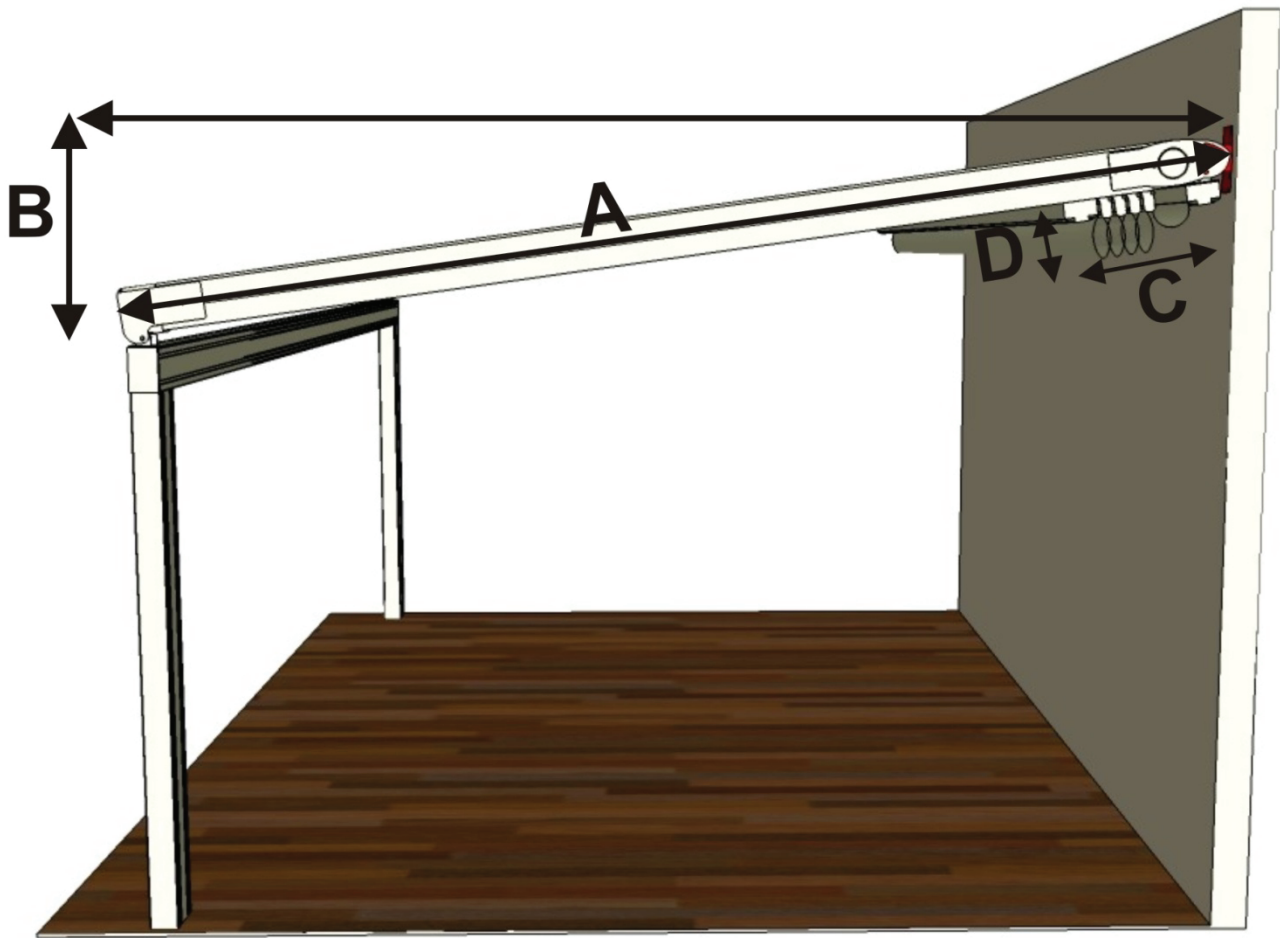
**For pergolas which are larger than 60 square meters, two (2) tubular motors connected to a coupler are used to reach the desired Nm Drive.**



**Motor Protector Cap = 70mm width**

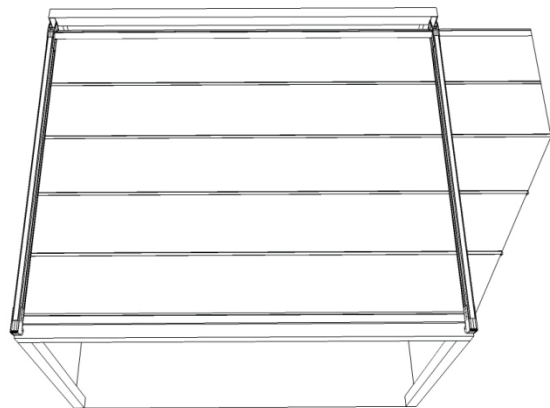
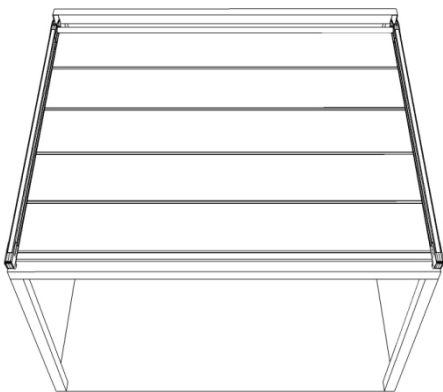
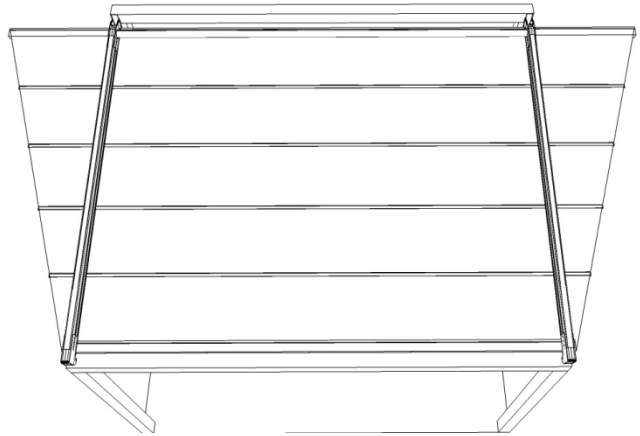
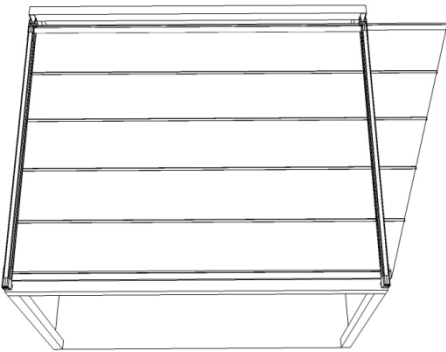
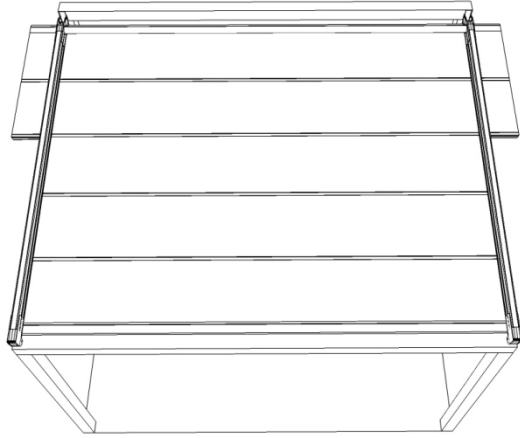
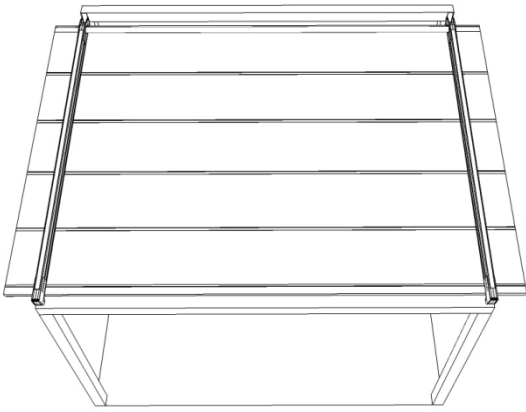


# Finish Height Specifications



PROJECTION (A)	INCLINATION(B)	FABRIC HEIGHT (D)	RETRACTED ALUMINUM SUPPORT BEAMS (C)
2.5 m	32 cm	27.5 cm	46 cm
3 m	39 cm	27 cm	51 cm
3.5 m	45 cm	26.5 cm	56 cm
4 m	52 cm	30.5 cm	56 cm
4.5 m	58 cm	30 cm	61 cm
5 m	65 cm	29 cm	66 cm
5.5 m	71 cm	28.5 cm	71 cm
6 m	78 cm	25.5 cm	76 cm

# Over Hang Options





# PVC Structural Membrane Specs

## 716 POLYPLAN

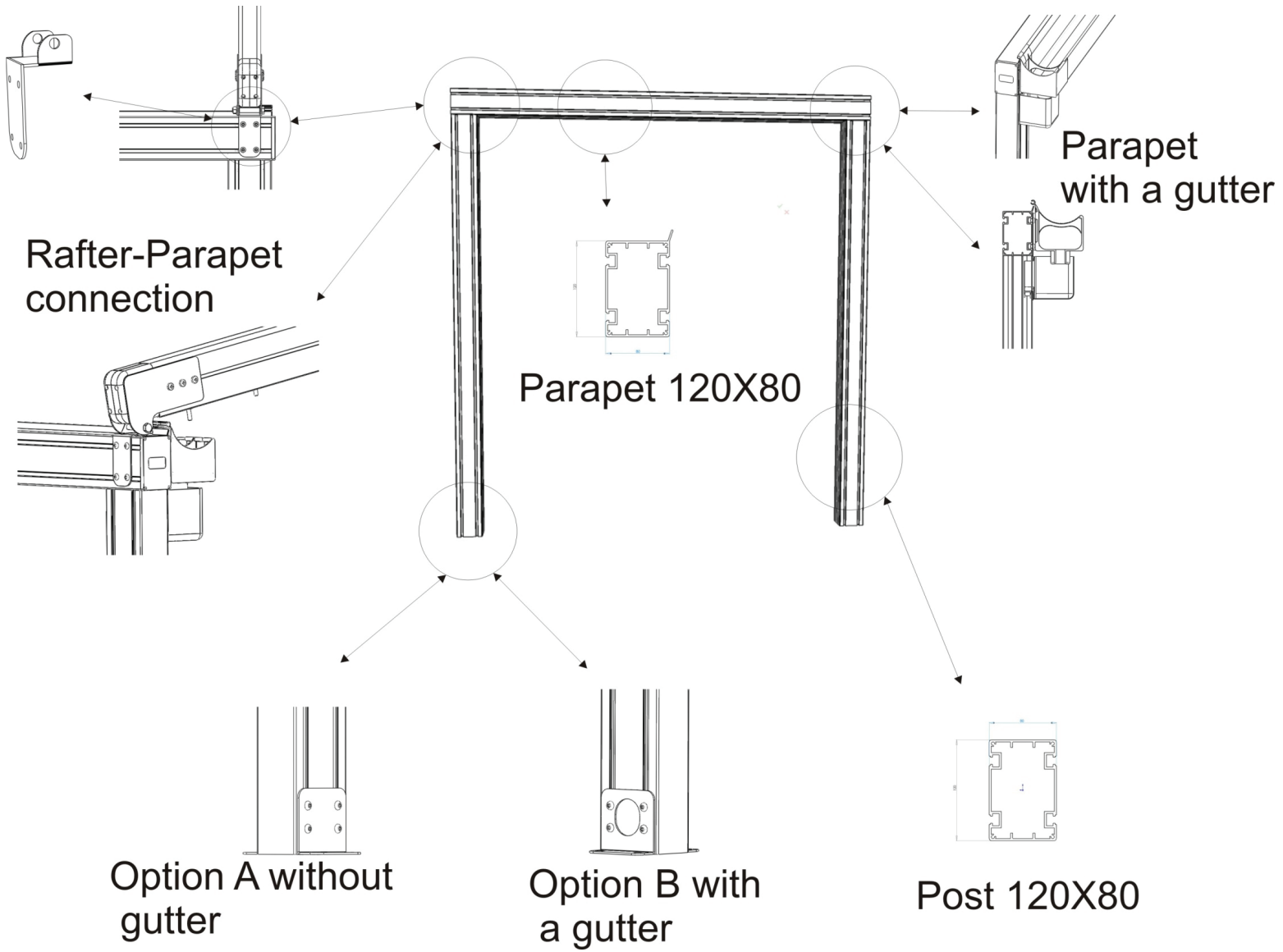
PES-1100 decitex fabric, both sides highly opaque PVC - coated and painted, equipped with heavy-flammable, cadmium-free

base	DIN 60 001	PES
yarn	DIN EN ISO 2060	1100 dtex
weave	DIN ISO 9354	L 1:1
total weight (g/m <sup>2</sup> )	DIN EN ISO 2286-2	720
strength (N/5cm)	DIN EN ISO 1421	2500/2500
tear resistance (N)	DIN 53 363	300/250
adhesion (N/5cm)	DIN EN ISO 2411	100
cold resistance	DIN EN 1876-1	- 30°C
heat resistance	IVK/Pkt.5	+ 70°C
fastness	DIN 54 004 (DIN EN ISO 877)	min. 7
retardancy	ÖNORM B 3800 DIN 4102	B1; Tr1; Q1 B1 (AbP P-BAY26-05174)
Use:		Werbetransparent, beidseitig beschriftbar

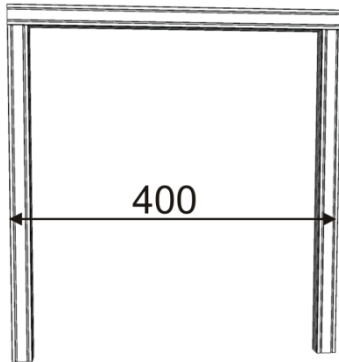
Available colors:

Beige (RAL1013), White (RAL9016), Blue (RAL5024), Brown (RAL1019), Grey (RAL9018).

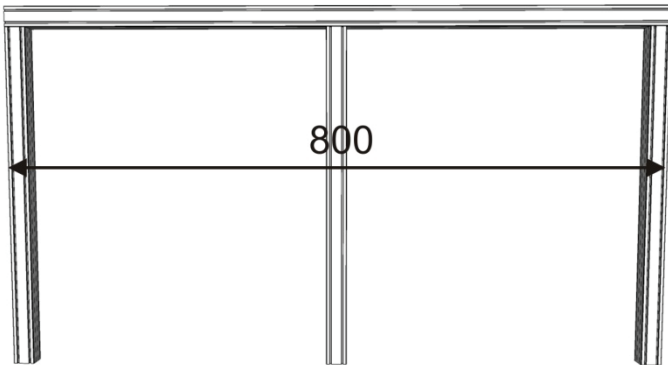
# Support Frame Detail



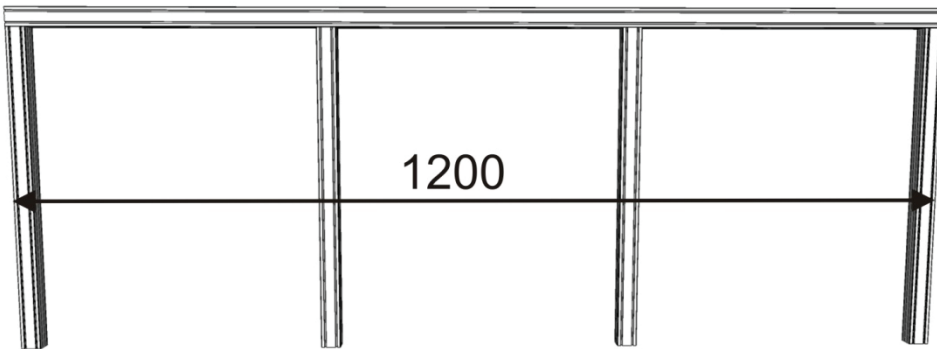
# Maximum Width Between Support Frames



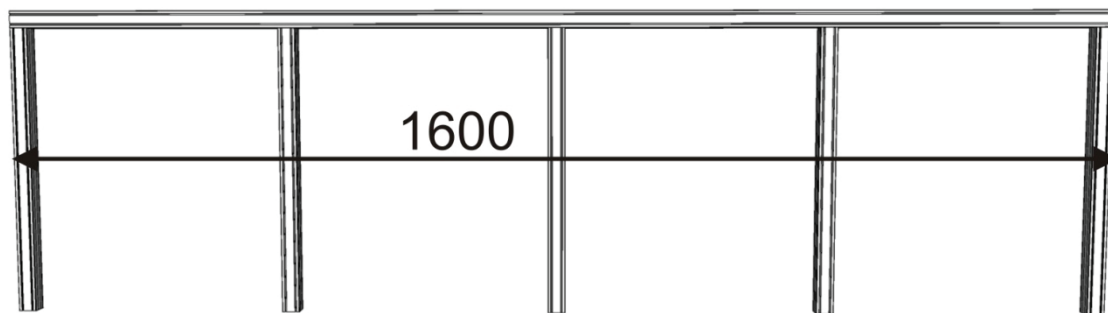
**Parapet with two (2) post can span a maximum of four (4) meters**



**Parapet with three (3) post can span a maximum of eight (8) meters**

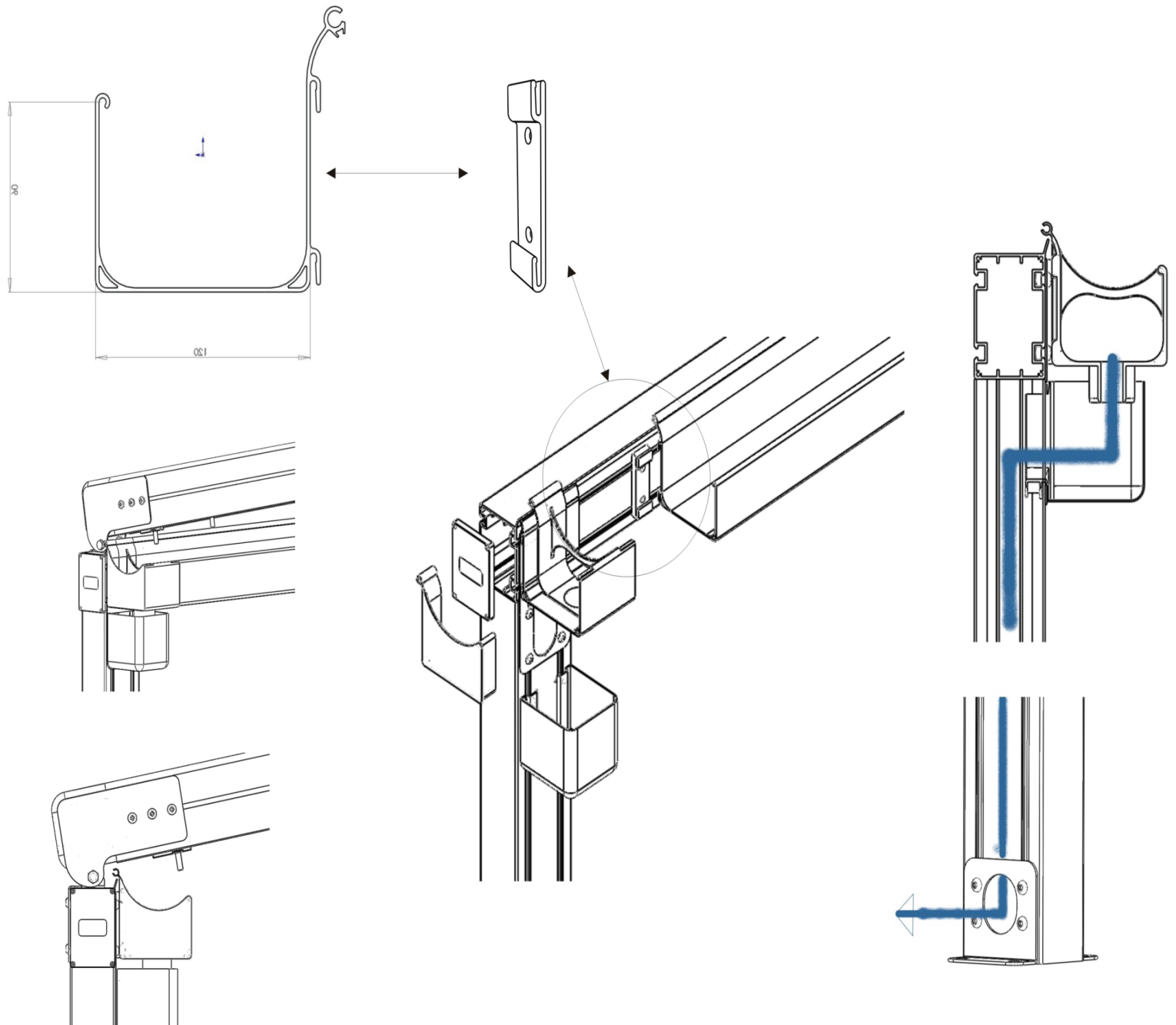


**Parapet with four (4) post can span a maximum of twelve (12) meters**



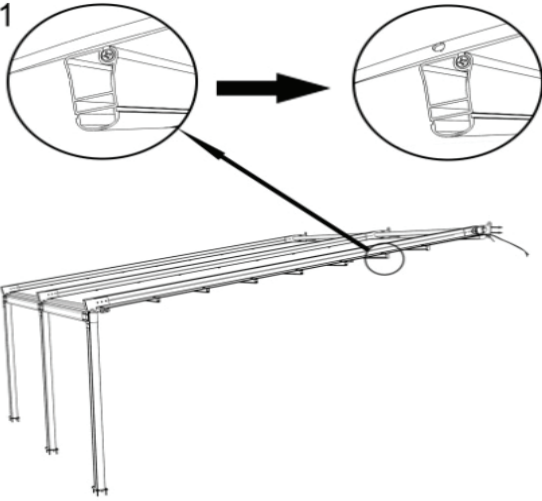
**Parapet with five (5) post can span a maximum of sixteen (16) meters**

# Guttering System Detail

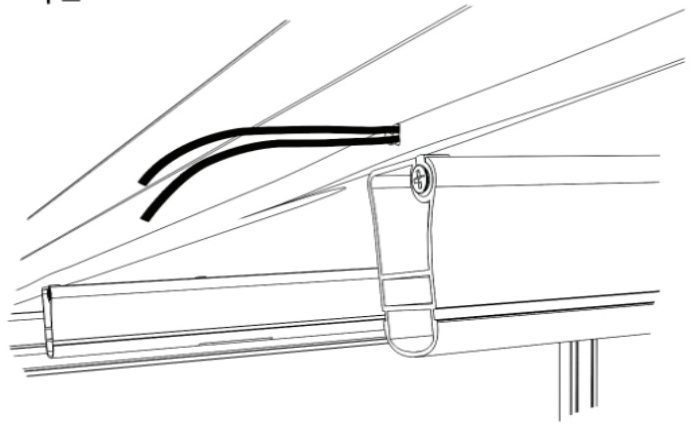


# High Powered LED Lighting System Detail

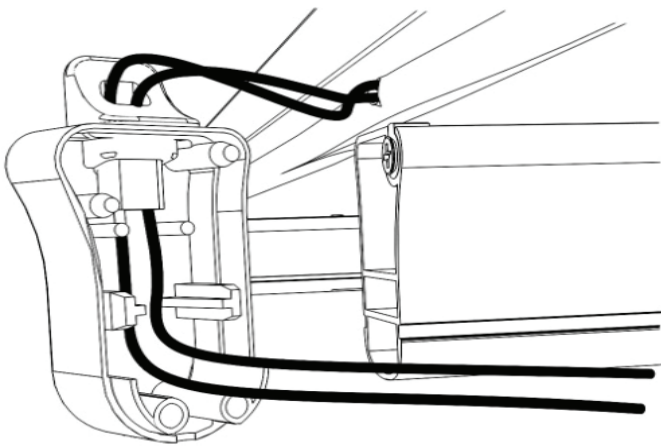
step\_1



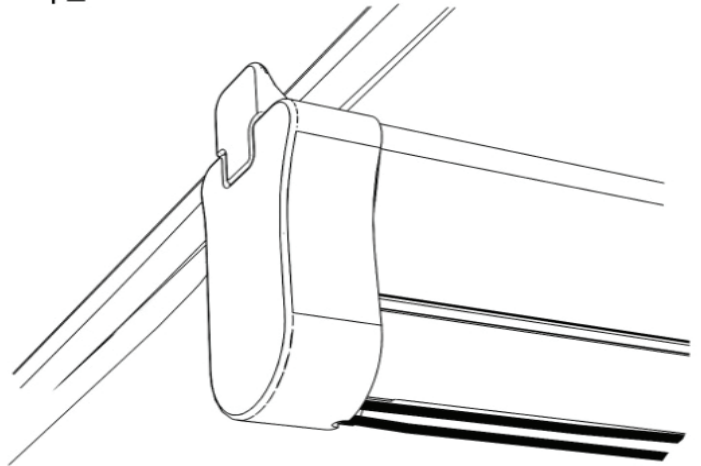
step\_2



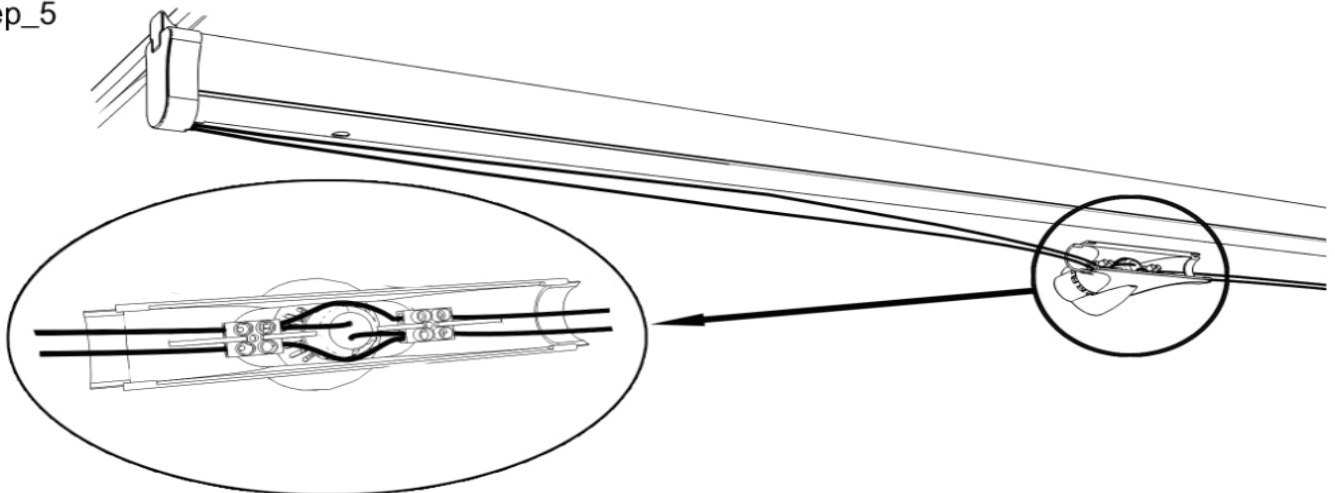
step\_3



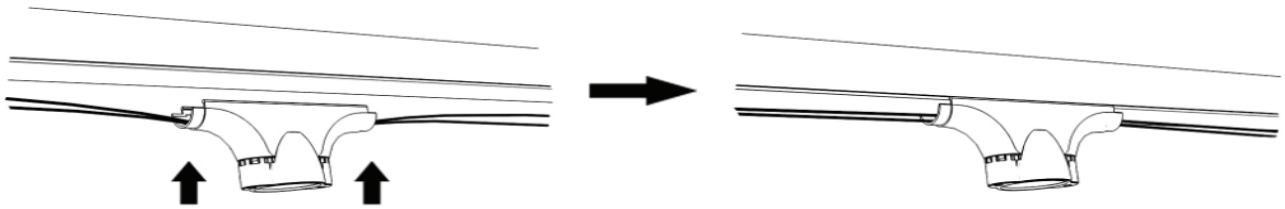
step\_4



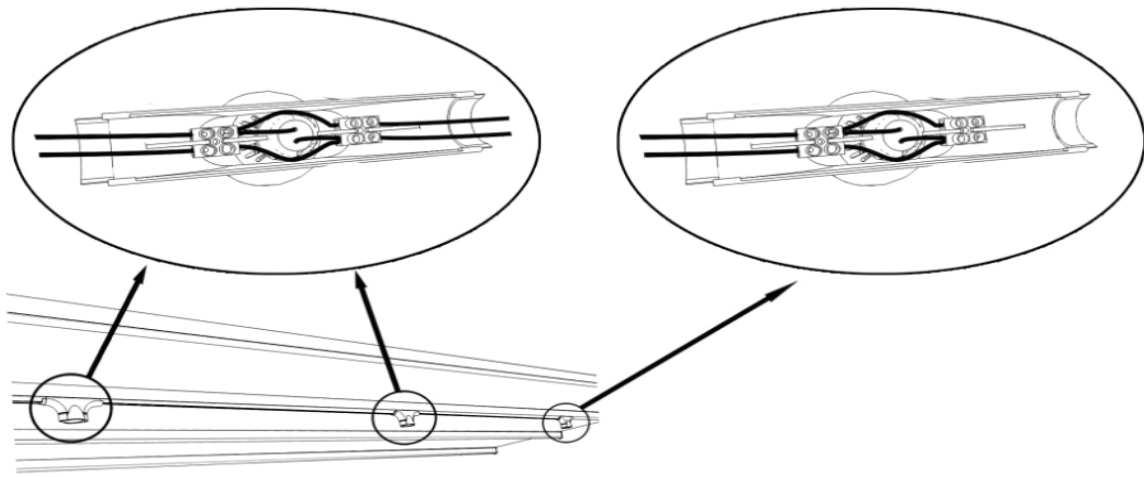
step\_5



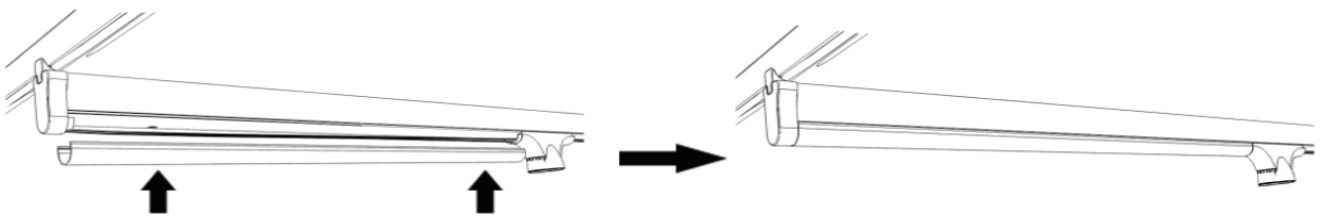
step\_6



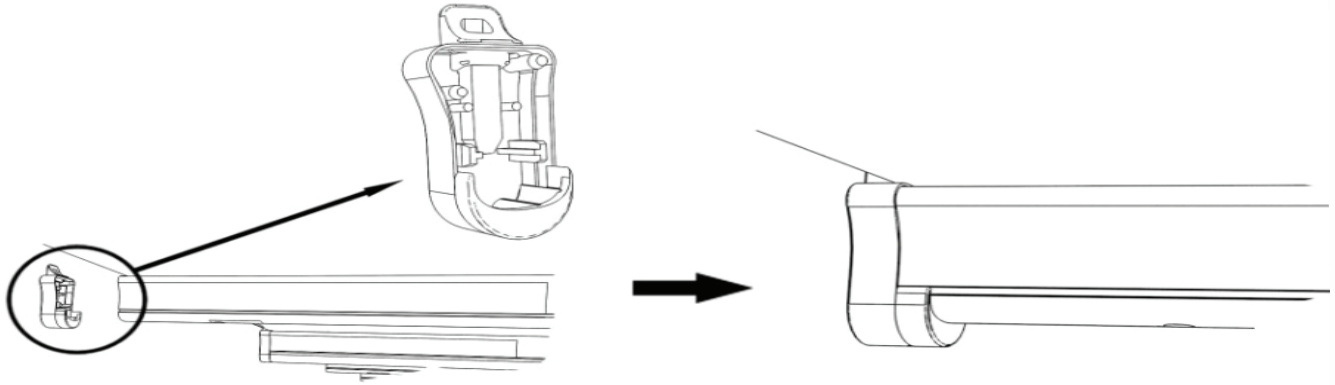
step\_7



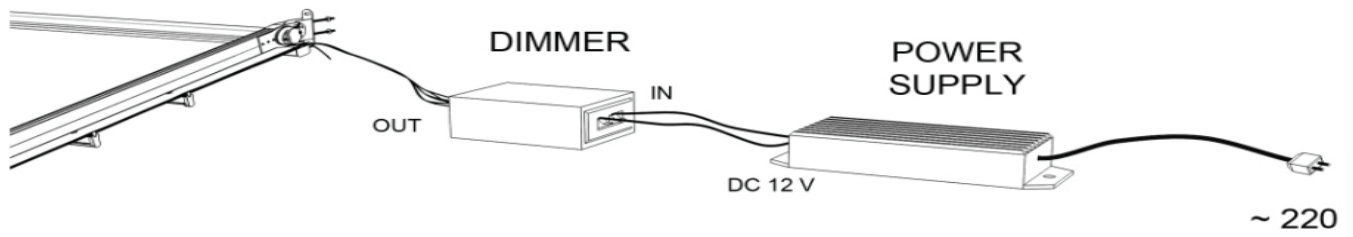
step\_8

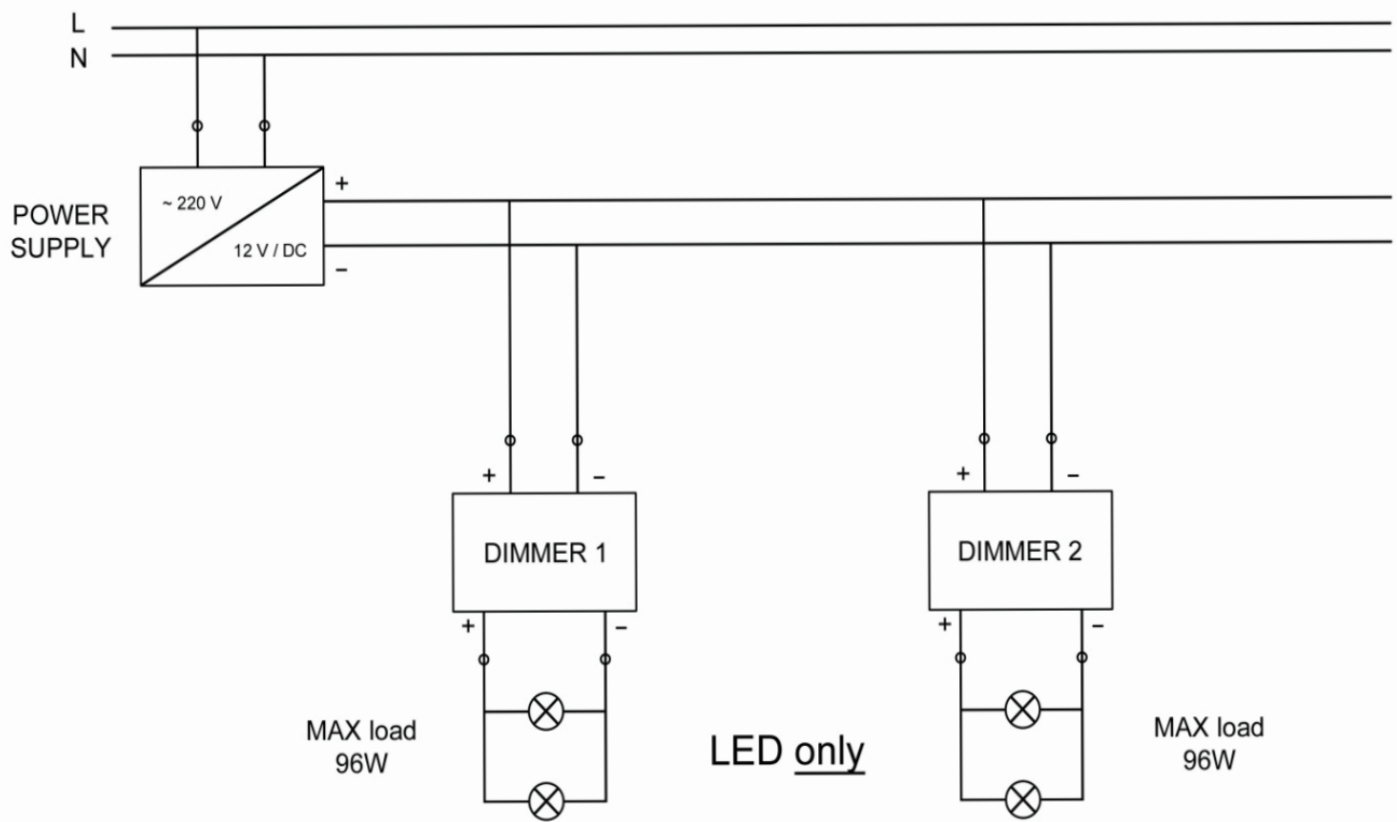


step\_9



step\_10







# Wind Pressure and Endurance Chart

WIND PRESSURE			
Pergola's Star Eurola Endurance	Beaufort	klm/hour	Description
	0	0-1	<a href="#">Calm</a>
	1	1-5	<a href="#">Light air</a>
	2	6-11	Light breeze
	3	12-19	Gentle breeze
	4	20-28	Moderate breeze
	5	29-38	Fresh breeze
	6	39-49	Strong breeze
	7	50-61	High wind, Moderate gale, Near gale
	8	62-74	Gale, Fresh gale
	9	75-88	Strong gale
	10	89-102	Storm, Whole gale
	11	103-117	Violent storm
12	>118	Hurricane	

The wind pressure at 10 **Beaufort** is 504 N/m<sup>2</sup>

**Eurola Star is wind rated to 90km/h on a standard frame,  
and 112km/h on a purpose built structure.**